

access

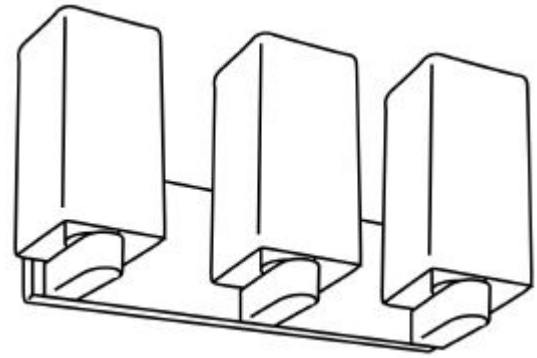
LIGHTING

INSTALLATION INSTRUCTIONS

IMPORTANT

Before assembling your access lighting fixture, please make sure that you carefully read through these instruction sheets. Consider having your fixture installed by a qualified licensed electrician.

NOTE: The important safeguards and instructions that appear in this manual are not meant to cover all possible conditions and situations that may occur. It must be understood that common sense, caution and care, are factors that can't be built into any product. These factors must be supplied by the person(s) caring for and operating the fixture.

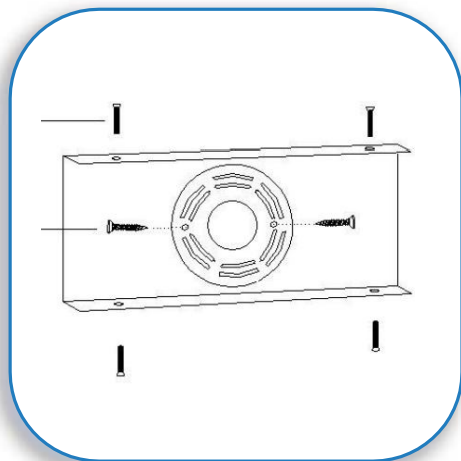


GENERAL INFORMATION

All electrical connections must be in accordance with all ordinances, Local and National Electrical Codes. These fixtures are intended for mounting to a standard 4" x 2 1/2" metal octagon outlet box. The box must be directly supported by the building structure and U.L. Recognized.

STEP BY STEP INSTRUCTIONS

Before starting your installation disconnect the Power by turning off the Circuit Breaker or by removing the fuse at the fuse box. Just turning the light off at the light switch is not sufficient to prevent electrical shock.



COLLECTION

Archie

APPLICATION

Wall Fixture

MODEL NO.

50177LEDDL

WHAT WE PROVIDE

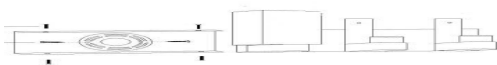
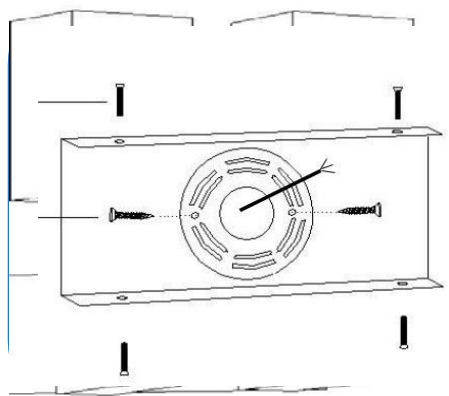
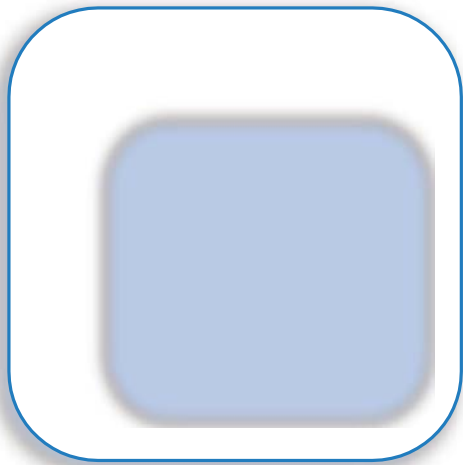
- Crossbar
- Mounting Hardware
- Mounting Plate Back
- 3 x Glass Shades
- 3 x E-26 LED bulbs

WHAT YOU NEED

- Screwdriver
- Wire Cutters
- Wiring Supplies as Specified by Electrical Code

MOUNT BACK PLATE

If there is an existing fixture remove it. Expose the supply wires from the j-box. Mount the back plate to the j-box with the supplied screws.



CONNECT THE WIRES

Gently pull the supply wires. Connect the black supply wire to the black fixture wire. Secure with the supplied wire nuts. Connect the white supply wires to the white fixture wire. Secure with the supplied wire nuts. Either wrap the green wire around one of the protruding screws or connect it to the supply ground wire. Secure all wires with electrical tape (not supplied). Tuck all wires carefully into the J-Box.

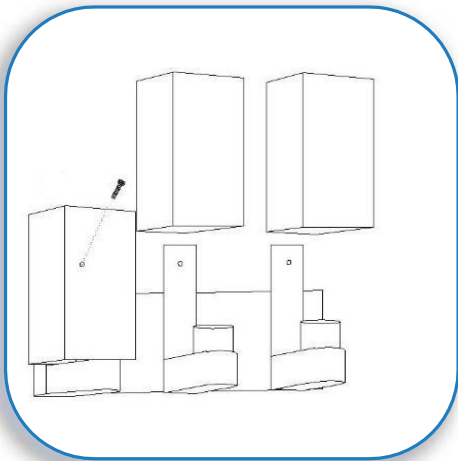
MOUNT THE CANOPY

Fit the fixture canopy over the back plate. Align the screw holes on the top and bottom of the canopy and the back plate. Insert the supplied screws, tighten down and secure.

INSERT THE BULBS

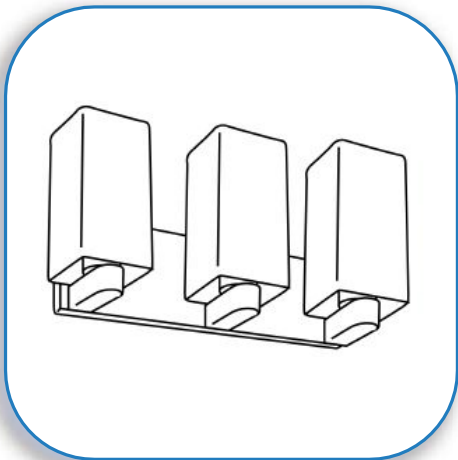
Insert the bulbs.
DO NOT EXCEED THE RECOMMENDED WATTAGE AS STATED ON THE WARNING LABEL.

4



SECURE THE GLASS SHADES

Secure the glass shades to the fixture, by fitting the glass over the socket. Secure the glass by inserting the supplied screws through the designated hole in the glass and the metal post. Tighten down to secure



RESTORE THE ELECTRICITY AND CHECK THE OPERATION OF YOUR NEW ACCESS FIXTURE

6

CAUTION

Please ensure that the fitting is cool and switched off before replacing the bulb. DO NOT use bulbs that might exceed the maximum wattage, stated on caution label.